

The BelGAS^{CP} P4100 series is a pneumatically operated control valve, designed to withstand severely corrosive mediums associated with the oil and gas industry.

Applications

- Low Pressure Separators/Compression Scrubbers
- Line Heaters
- Control Valve for Burner Systems

Features

- **Simple Maintenance:** The valve trim can be quickly changed without removing the valve from the line. Simply loosen the bolts to lift the bonnet and housing free of the body.
- **Body Pressure Monitoring Tap Options:** Multiple monitoring tap options are available. Choose the orientation that fits your application. Choose between untapped, output side tapped, supply and output side tapped, or the standard option, supply side only tapped. See figure 3.
- **Signal (Pilot) Port Orientation Option:** The P4100 also includes additional signal pilot customization for your application needs. Choose the standard option or any one of three additional options. See figure 3 to decide the orientation needed.



Specifications

Inlet Pressure Rating	300 PSIG (Max)
Temperature Range	-20° to 200°F (-29° to 93°C)
Air Pressure to Signal (Pilot)	0-30 PSIG Recommended

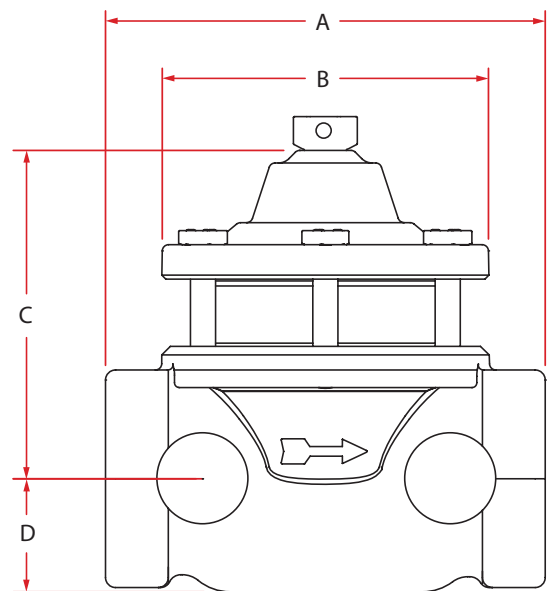
Materials of Construction

Part	Material
Body	Cast Ductile Iron
Diaphragm	Nitrile
Gaskets	Tealon TF
Housing	Cast Ductile Iron
Main Spring	Stainless Steel
Seat	Polyurethane
Stem	Stainless Steel
Trim / Orifice	Stainless Steel

Dimensional Data (in.)

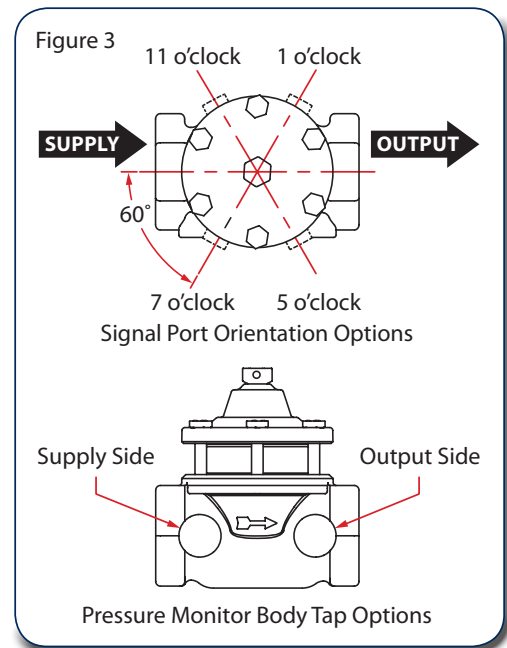
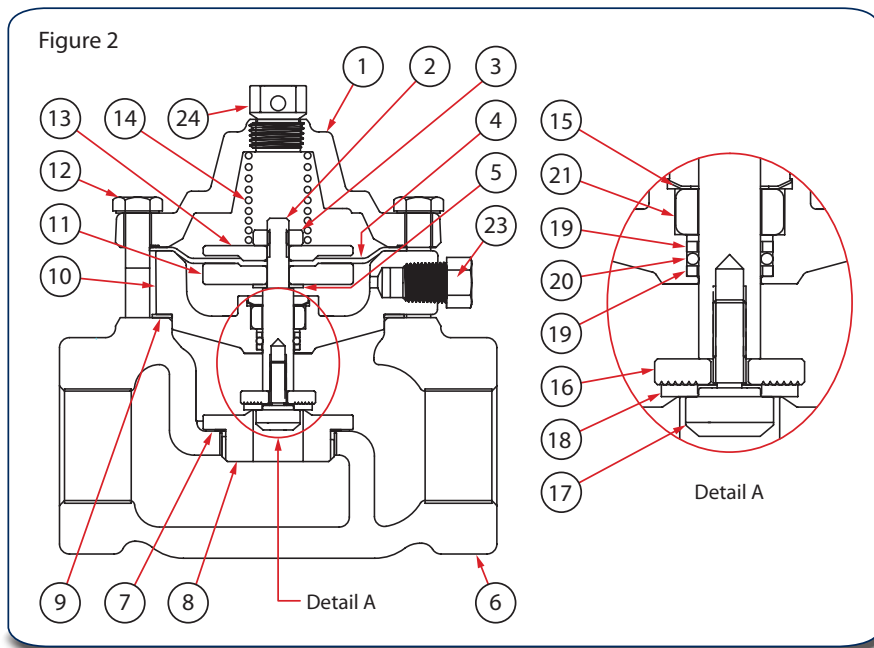
Valve Size	A		B		C		D		Approx. Weight
	in.	mm	in.	mm	in.	mm	in.	mm	
1" NPT Ports	4.38	111	3.25	83	3.27	83.5	1.13	29	5.00 lbs. (2.27 kg)

Figure 1



Dimensional breakdown of exterior features
(Note: 1/8" NPT signal port not shown)

P4100 Parts List & Repair Kits



Item	Description	Qty.	Part Number
1	Bonnet	1	604-272-000
2	Stem	1	689-019-000
3	Nut	1	634-477-000
4	Diaphragm	1	600-518-000
5	Stem Gasket	1	624-105-000
6	Body	1	624-440-XXX
7	Orifice Gasket	1	624-104-000
8	Orifice	1	688-069-000K
9	Housing Gasket	1	624-103-000
10	Housing	1	629-257-000
11	Lower Plate	1	638-088-000
12	Screws	6	603-011-000
13	Upper Plate	1	637-339-000
14	Spring	1	655-785-000
15	Retaining Ring	1	644-057-000
16	Disc	1	619-071-000
17	Ratio Plug	1	643-225-000
18	Seat	1	650-195-000
19	Back-up Ring	2	649-340-000
20	O-ring	1	649-000-004
21	Bushing	1	608-087-000
23	Plug	1	673-028-000
24	Breather Plug	1	639-144-000
25	Plug, 1/4" NPT	1	639-099-000
26	1" NPT Cap Plug (Not Shown)	2	610-060-001
27	1/8" NPT Cap Plug (Not Shown)	1	639-000-003

P4100 Part Number Matrix

	P41	00	08	0	0	0	K	0	0	S	8
Body Size											
1" NPT			08								
Body Material											
Ductile Iron				0							
Signal Port Orientation											
1 o'clock							G				
5 o'clock							H				
7 o'clock							J				
11 o'clock (Standard)							K				
Configuration (Pressure Monitoring Body Tap)											
Untapped											U
Supply Side Only (Standard)											S
Both Supply and Output											V
Output Side Only											W
Trim Size (Orifice)											
0.5"											8

Repair Kits		
Description	Qty.	Part Number
General Repair Kit	1	971-P41-000
Housing O-ring / Bushing Kit		971-P41-001
Housing / Stem Replacement Kit		971-P41-002

Contact your BelGAS^{CP} representative or go to www.BelGASCP.com to learn more about our products.



**Trusted.
Proven.
Better.**

8019 Ohio River Blvd.
Newell, WV 26050
Toll Free: 800-727-5646
sales@belgas.net
www.BelGASCP.com

2221 SE 69th Street
Oklahoma City, OK 73149
Toll Free: 800-833-3127