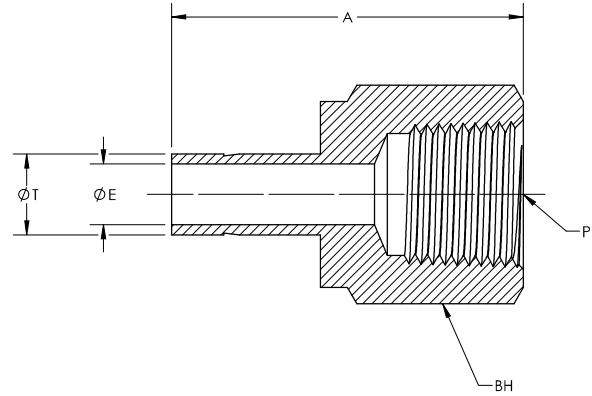


DATPF/SATPF

Adapter Tube to Female Pipe



CBC PART NUMBER	INTERCHANGES WITH	CS PART NUMBER	INTERCHANGES WITH	T TUBE O.D.	P PIPE END NPT	A	E THRU HOLE	BH BODY HEX	
2-DATPF-2	2-TA-7-2	2FA2N	2-SATPF-2	2-2 T2HG	1/8	1/8	1.37	0.08	9/16
2-DATPF-4	2-TA-7-4	2FA4N	2-SATPF-4	2-4 T2HG	1/8	1/4	1.52	0.08	3/4
4-DATPF-2	4-TA-7-2	4FA2N	4-SATPF-2	4-2 T2HG	1/4	1/8	1.39	0.17	9/16
4-DATPF-4	4-TA-7-4	4FA4N	4-SATPF-4	4-4 T2HG	1/4	1/4	1.55	0.17	3/4
4-DATPF-6	4-TA-7-6	4FA6N	4-SATPF-6	4-6 T2HG	1/4	3/8	1.64	0.17	7/8
4-DATPF-8	4-TA-7-8	4FA8N	4-SATPF-8	4-8 T2HG	1/4	1/2	1.89	0.17	1 1/16
6-DATPF-2	6-TA-7-2	6FA2N	6-SATPF-2	6-2 T2HG	3/8	1/8	1.53	0.27	9/16
6-DATPF-4	6-TA-7-4	6FA4N	6-SATPF-4	6-4 T2HG	3/8	1/4	1.69	0.27	3/4
6-DATPF-6	6-TA-7-6	6FA6N	6-SATPF-6	6-6 T2HG	3/8	3/8	1.77	0.27	7/8
6-DATPF-8	6-TA-7-8	6FA8N	6-SATPF-8	6-8 T2HG	3/8	1/2	1.98	0.27	1 1/16
8-DATPF-4	8-TA-7-4	8FA4N	8-SATPF-4	8-4 T2HG	1/2	1/4	1.89	0.38	3/4
8-DATPF-6	8-TA-7-6	8FA6N	8-SATPF-6	8-6 T2HG	1/2	3/8	2.03	0.38	7/8
8-DATPF-8	8-TA-7-8	8FA8N	8-SATPF-8	8-8 T2HG	1/2	1/2	2.27	0.38	1 1/16
8-DATPF-12	8-TA-7-12	-	8-SATPF-12	-	1/2	3/4	2.27	0.38	1 5/16
10-DATPF-8	10-TA-7-8	10FA8N	10-SATPF-8	10-8 T2HG	5/8	1/2	2.24	0.47	1 1/16
12-DATPF-8	12-TA-7-8	12FA8N	12-SATPF-8	12-8 T2HG	3/4	1/2	2.24	0.58	1 1/16
12-DATPF-12	12-TA-7-12	12FA12N	12-SATPF-12	12-12 T2HG	3/4	3/4	2.30	0.58	1 5/16
16-DATPF-12	16-TA-7-12	16FA12N	16-SATPF-12	16-12 T2HG	1	3/4	2.61	0.80	1 5/16
16-DATPF-16	16-TA-7-16	16FA16N	16-SATPF-16	16-16 T2HG	1	1	2.66	0.80	1 5/8

NOTE: Dimensions subject to change, to be used for reference only.