

# “Mini Gun II” General Purpose Instrument And Gas Pressure Regulator

## Application

The “Mini Gun II” Series W67R and W67FR regulators are standard equipment for pneumatic liquid level controls and valve positioners, and provide constant and reliable controlled reduced pressures. In addition, they can be used for general-purpose control of gas or air to other pneumatic instruments. The standard regulator is self-relieving. For safety reasons, the NACE version is not self-relieving.

## Features

- Rugged, Compact & Lightweight Construction
- Cost Effective
- Internal Relief
- Filtered and Non-Filtered Options
- Filtered Unit, Panel Mount Standard
- Filtered Unit, 40 Micron Cellulose
- Spring Case Vent Standard, ¼” FNPT
- Three Output Ranges (See Table 1)
- Easy In-line Maintenance
- Dual Outlets

## Specifications

Body Material ..... Diecast Aluminum  
 Port Sizes ..... ¼” FNPT  
 Inlet Supply Pressure ..... 250 psi Max.  
 Temperature ..... -20°F to 180°F  
 Four Output Ranges ..... 0-120 psig (See Table 1)  
 Capacities ..... (See Table 2)

**Table 1 • Outlet Pressure (psig)**

Outlet Press. Range	Control Spring Data	
	Part Number	Color Code
0 to 35	11161	UNPAINTED
0 to 60	11163	BLUE
0 to 120	11164	RED

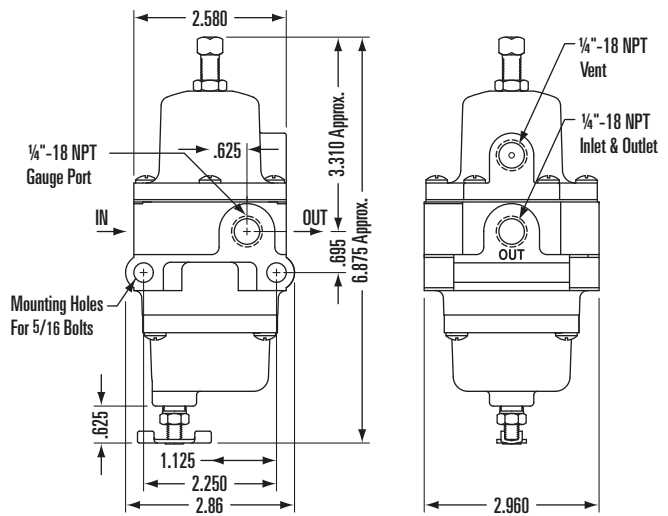
**Table 2 • Pressure Range (psig) & Capacity (scfh)**

Outlet Press.	Outlet Press. Range	Inlet Press >	Capacity In SCFH of 0.6 Specific Gravity Natural Gas				
			50	75	100	150	250
25	0-35	CAPACITY >	516	710	968	1290	1806
40	0-60	CAPACITY >	194	645	645	903	1806
80	0-120	CAPACITY >	—	—	516	839	1290

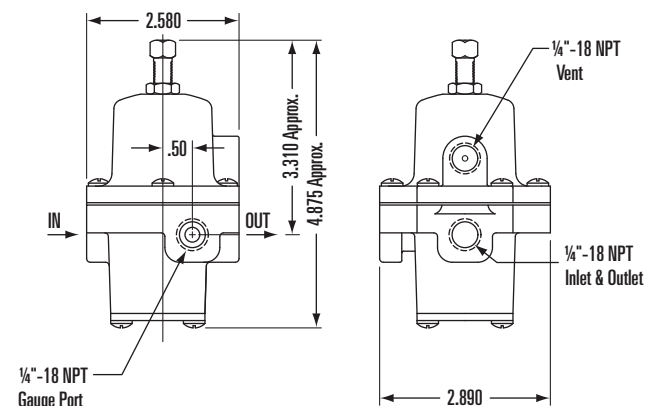


Just One of Many Offered From An Arsenal of General Purpose Pressure Regulators

## Dimensional Data



Filtered Units



Non-Filtered Unit

# "Mini Gun II" General Purpose Instrument And Gas Pressure Regulator

## Determining the Model Number

Example given: A Filtered, 0-60 psig Outlet Pressure with Square Head Adjustment Screw, Mini Gun II Pressure Reducing Regulator.

### "Mini Gun II" Model W67FR 60 Q - N

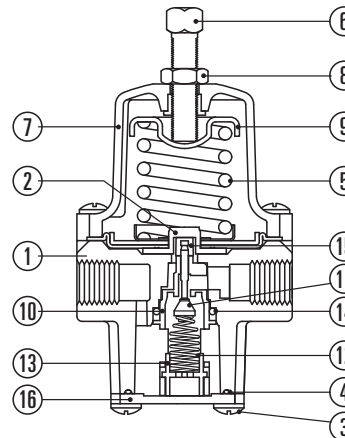
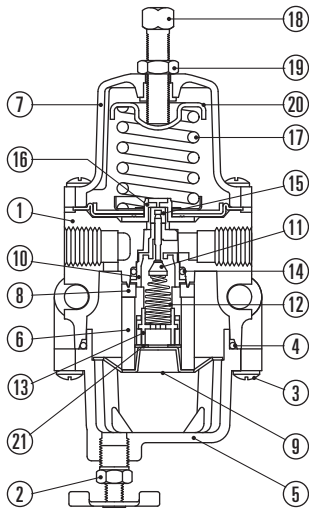
W67R • Non-Filtered  
W67FR • Filtered

35 • 0-35 psig  
60 • 0-60 psig  
120 • 0-120 psig

Type  
Outlet Pressure

Options  
Gauge Option  
Adjustment Screw

- • Standard
- N • NACE
- • No Gauge
- A • Standard Gauge (Brass)
- B • Stainless Steel
- C • Liquid-Filled Bronze
- Q • Square Head



## Parts List, Filtered Unit

Item	Description	Qty.	Part No.
1	BODY	1	40598
2	DRAIN VALVE	1	11065
3	SCREW	10	11124
4	O-RING	1	11123
5	DRIPWELL	1	31018
6	FILTER ELEMENT	1	11052
7	SPRING CASE	1	31017
8	FILTER GASKET	1	11053
9	FILTER RETAINER	1	21102
10	VALVE CARTRIDGE	1	40597
11	VALVE PLUG	1	11059
12	VALVE SPRING	1	11062
13	VALVE RETAINER	1	11055
14	O-RING	1	10116
15	SOFT SEAT	1	11057
16	DIAPHRAGM ASSY.	1	21181
17	SPRING, 0-35#	1	11061
	SPRING, 0-60#	1	11163
	SPRING, 0-120#	1	11164
18	ADJUSTING SCREW	1	11060
19	LOCK NUT	1	05000-2435
20	UPPER SPRING SEAT	1	21103
21	WASHER	1	11054
22*	WASHER	2	11064
23*	PIPE PLUG	1	11127

\*Not Shown

## Parts List, Non-Filtered Units

Item	Description	Qty.	Part No.
1	BODY	1	40793
2	DIAPHRAGM ASSY.	1	21182
3	SCREW	10	11124
4	O-RING	1	10181
5	SPRING, 0-35#	1	11061
	SPRING, 0-60#	1	11163
	SPRING, 0-120#	1	11164
6	ADJUSTING SCREW	1	11060
7	SPRING CASE	1	31017
8	LOCK NUT	1	05000-2435
9	UPPER SPRING SEAT	1	21103
10	VALVE CARTRIDGE	1	40597
11	VALVE PLUG	1	11059
12	VALVE SPRING	1	11062
13	VALVE RETAINER	1	11055
14	O-RING	1	10116
15	SOFT SEAT	1	11057
16	CAP	1	21174
17*	PIPE PLUG	1	11127

\*Not Shown